



# Precisio

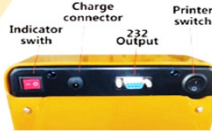
model: **T15C series**

# Pallet Jack scale

THE BACKLIGHT AUTOMATICALLY CHANGES ACCORDING TO OUTSIDE LIGHT.  
THE HOUSING IS MANUFACTURED OF HIGH STRENGTH METAL **PROTECTING THE INDICATOR** FROM ACCIDENTAL DAMAGES



Charger



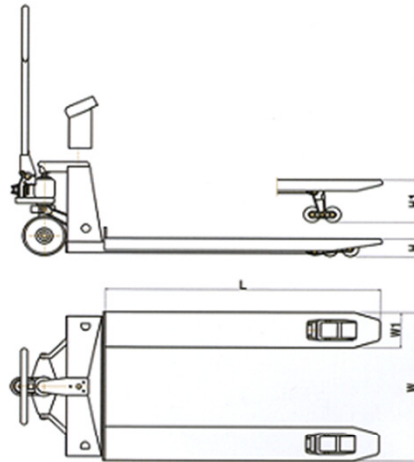
Model - NDP685	T15C & C-PC
Capacity & accuracy	2,5ton x 0,5kg
Min. Height of Fork	80mm
Lifting Height	115mm
Fork Standard Width	685mm
Special Fork Length	350~1200mm



**Print Format**

## Specifications:

Model NDP685-TC15	T15C	T15C-PC (with printer)
Display	LCD	LCD
Auto Backlight	Yes	Sensitive
Charge Method	Charger	Charger
Voltage	6V	6V
Charge Capacity	4Ah	4Ah
Unit Exchange lb/kg; kg/g	YES	YES
Auto Zero Tracking	YES	YES
Power Check	YES	YES
Calendar (Real-time clock)	NO	YES
RS232 Connection	NO	YES
Printer Connection	NO	TTL
Hold Function	YES	YES
Battery operational hours	72hrs	72hrs or less



Model	W	W1	H	H1	L
NDP685	685mm	160mm	80mm	195mm	1150mm

