




Capacity	Accuracy	Part-Number
150 kg	C3	BM8D-C3-150kg-6B-G1
300 kg	C3	BM8D-C3-300kg-6B-G1
500 kg	C3	BM8D-C3-500kg-6B
1 t	C3	BM8D-C3-1t-6B
2 t	C3	BM8D-C3-2t-6B
2.5 t	C3	BM8D-C3-2.5t-6B
3 t	C3	BM8D-C3-3t-6B
5 t	C3	BM8D-C3-5t-6B
7.5 t	C3	BM8D-C3-7.5t-6B
10 t	C3	BM8D-C3-10t-6B





- Stainless steel IP68 beam load cell
- Hermetically closed
- Suitable for platform, hopper and pallet scales
- High accuracy



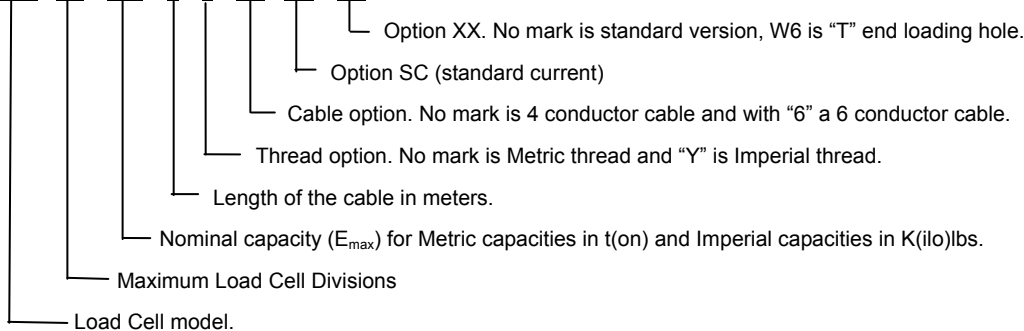
## Specification:

Accuracy class		OIML R60 C3	C3	
Maximum capacity ( $E_{max}$ )	t <sup>1</sup>	0.15, 0.3	0.5, 1, 2, 2.5, 3, 5, 7.5, 10	
Output sensitivity ( = FS )	mV/V	2.0 ± 0.008	3.0 ± 0.008	
Current calibration	SC <sup>2</sup>	Standard	Option	
Maximum number of load cell intervals ( $n_{LC}$ )	$n_{max}$		3000	
Ratio of minimum LC verification interval $Y = E_{max} / V_{min}$	Y	15000	10000	
Measuring principle		Bending	Shear	
Combined Error	%FS		≤ ± 0.023	
Safe overload	of $E_{max}$		150 %	
Ultimate overload	of $E_{max}$		300 %	
Zero balance	of FS		≤ ± 1.0 %	
Excitation, recommended voltage	V		5 ~ 12	
Excitation maximum	V		18	
Terminal resistance, input	Ω		350 ± 3.5	
Terminal resistance, output	Ω		350 ± 3.5	
Insulation impedance	MΩ		≥ 5000 ( at 50VDC )	
Temperature range, compensated	°C		-10 ~ +40	
Temperature range, operating	°C		-35 ~ +65	
Element material			Stainless steel	
Recommended torque on fixation bolts	Nm		M12:100	M18:200 M24:700
Ingress Protection (according to EN 60529)			IP68	
ATEX classification (optional)		II1G Ex ia II1C T4	II1D Ex iaD 20 T73°C	II3G nL IIC T4

Note 1: Imperial version are available. Note 2: SC = standard current option available, just add SC to the part number.

## Ordering Info:

BM8D - C3 - 1.0t - 6 - - BX - SC - XX



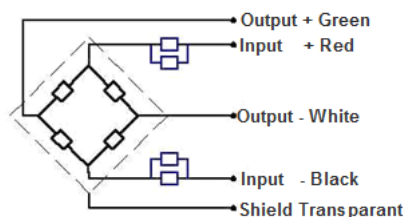
Standard cable is a shielded, 4 conductor cable: Ø 5mm.

Standard cable length: 6m.

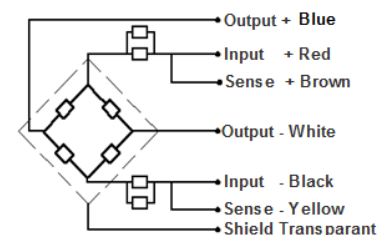
Shield in not connected to the element.

Cable type and length can be changed on customer's request.

### 4-wire:



### 6-wire:



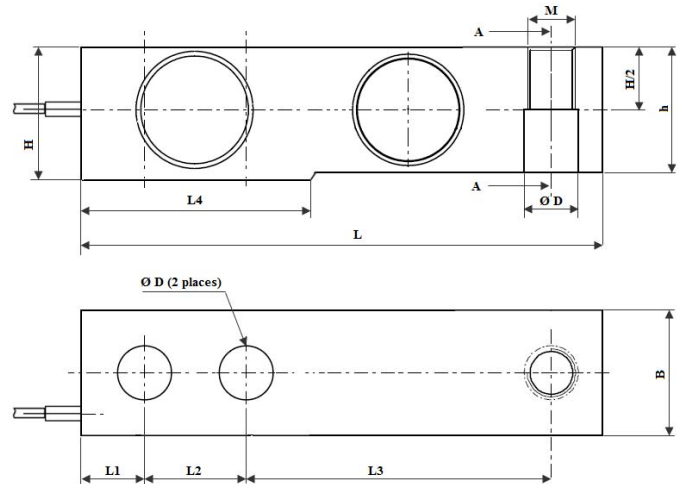
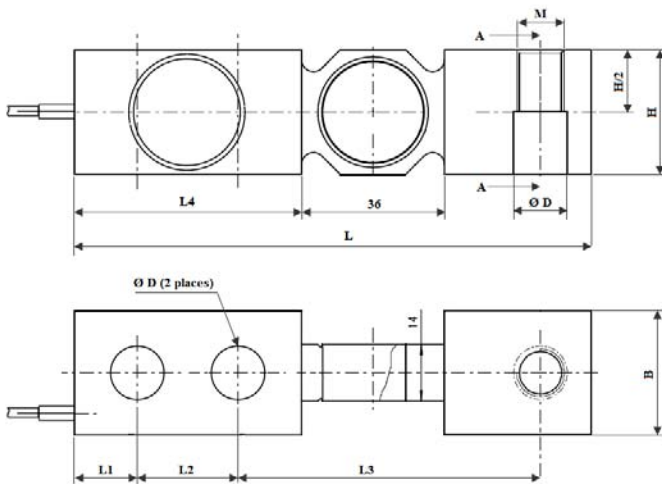
Please visit our website [WWW.ZEMIC.NL](http://WWW.ZEMIC.NL) for the most actual information

Nr. 2011.09 BM8D Rev5

Outline Dimensions in mm

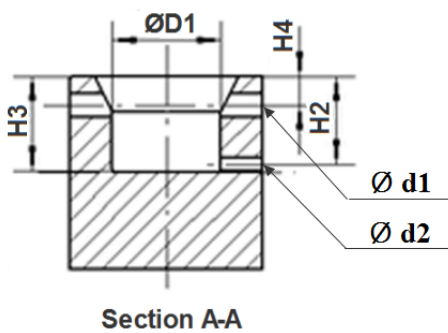
150kg – 300kg

Other capacities



Capacity	Dimension	L	L1	L2	L3	L4	B	H	h	ØD	M
1K	130 (5.12)	15.7 (0.62)	25.4 (1)	76.2 (3)	57.1 (2.25)	30.7 (1.21)	30.2 (1.89)	24.8 (0.98)	13.5 (0.53)	13.5 (0.53)	1/2-20UNF-2B
1.5K, 2K								26.0 (1.02)			
2.5K								27.0 (1.06)			
3K - 5KSE								28.0 (1.10)			
0.15t - 0.3t								24.8 (0.98)			
0.5t								26.0 (1.02)			
1t								28.0 (1.10)			
1.5t - 2t	171 (6.75)	19 (0.75)	38.1 (1.5)	95.2 (3.75)	76.2 (3)	36.8 (1.45)	36.8 (1.45)	32.8 (1.29)	19.8 (0.78)	3/4-16UNF-2B	
2.5KLE								34.8 (1.37)			
5K - 15K								20.5 (0.81)			
2.5t - 5t	222 (8.75)	25.4 (1)	50.8 (2)	120.7 (4.75)	101.6 (4)	49.5 (1.95)	49.5 (1.95)	47.5 (1.87)	26.9 (1.06)	1-12UNF-2B	
20K								M20 x 2,5			
7.5t - 10t										M20 x 2	

Option W6 Dimensions Loading Hole



Capacity	Dimension	ØD1	Ød1	Ød2	H2	H3	H4
1K	18 (0.71)	18 (0.71)	4 (0.16)	2 (0.08)	14.5 (0.57)	15.8 (0.62)	4.8 (0.19)
1.5K, 2K							
2.5K							
3K - 5KSE							
0.15t - 0.3t							
0.5t							
1t							
1.5t - 2t	25 (0.98)	25 (0.98)	4 (0.16)	2 (0.08)	17.5 (0.69)	18.8 (0.74)	
2.5KLE							
5K - 10K							
2.5t - 5t							