



1 Introduction

CCT10---High Precision Counting Scale with Piece Weight Memory

2 Features and Functions

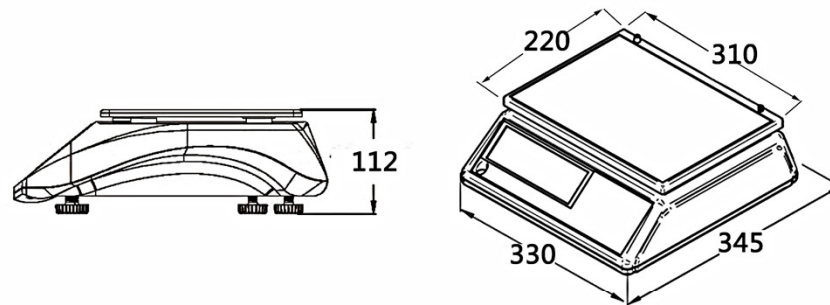
- Function keys: Numeric 0~9, Count Alarm, Units, Sample, Count, MR, MC, CE, 10 x Piece Weight Memory, Zero, Tare, On, Off
- Power On Zero-Tracking, Auto-Calibration, Auto-Power Off, Digital Noise Filter, Piece Weight Auto-Average, Full Tare, Accumulation Memory, Programmable Capacity and Division, Low Battery Indicator and Charging Status Indicator
- CCT10 with three LCD displays for Weight, Piece Weight and Total Count 10 x One-touch Piece Weight Memory keys (Total 20 Piece Weight Memory)

3 Specifications

- Accuracy: III
- Display: 18mm LCD display with LED backlit
- Rechargeable battery 6V/4Ah for 80 hours continuous use
- Power Supply: Input AC 100V-240V, Output 12V/1A
- Working temperature: - 10 ° C to 40 ° C (14°F to 104°F)
- Platter: Stainless steel, Size:220mmx310mm
- Product size: 345 mm x330 mm x 112 mm

Option

- RS232 output



Model	Capacity	Readability	Division	Gross Weight	CBM	Certificate
CCT10-3	3kg	0.1g	30000	4.2kg	38*38*15cm	CE
CCT10-6	6kg	0.2g	30000	4.2kg	38*38*15cm	CE
CCT10-15	15kg	0.5g	30000	4.2kg	38*38*15cm	CE
CCT10-30	30kg	1g	30000	4.2kg	38*38*15cm	CE

