



Model TIANCHEN OCS-S series

Digital suspended scale

Features:

- ◆ Aluminum die-casting case
- ◆ LCD display with backlight
- ◆ American standard eye hook
- ◆ Stainless steel shackle
- ◆ AA*3 battery
- ◆ Capacity : 500kg & 1000kg

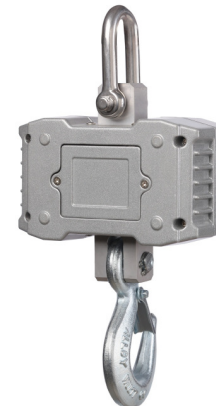
REMOTE INCLUDED

Functions:

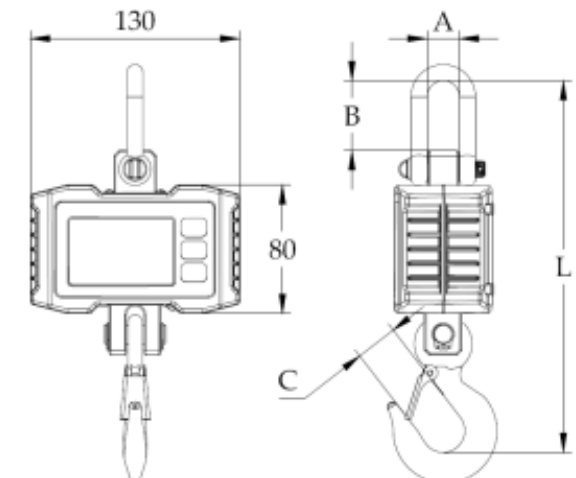
- Zero
- Tare In/ Tare Out
- Hold
- Battery Supervision
- Overload Alarm/ Record
- Digital Calibration
- 3-point Linearity Correction
- lb/kg Switch
- Resolution switch
- Gravity Acceleration Set

Specifications:

Accuracy class	OIML III
Tare range	100%F.S.
Zero range	4%F.S.
Safe overload	120%F.S.
Ultimate overload	400%F.S.
Overload alarm	100%F.S.+9e
Battery	AA*3
Battery life	>100h
Temperature range	-10°C~40°C



Dimensions:



Size and weight:

Max. Cap (kg)	Accuracy	A mm	B mm	C mm	L mm	N.W (kg)
500kg	0,2kg	20	43	25	220	1
1000kg	0,5kg	20	43	27	230	1.4